

# SHINOLA WATCHES

## SIZING GUIDE

We created this printable sizing guide to help you judge the scale of our watches on your wrist.

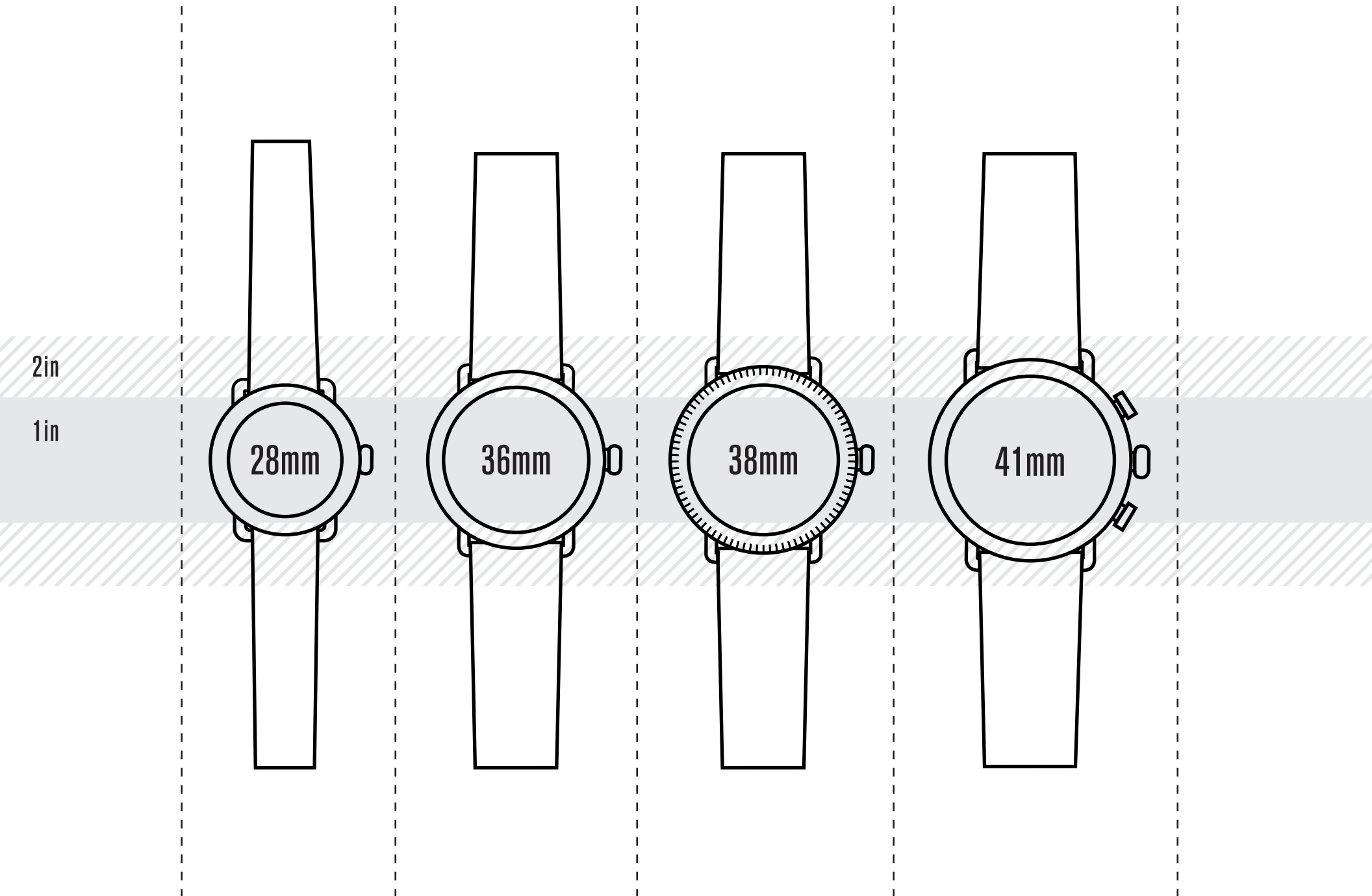
Print this template on an 8.5" x 11" piece of paper at 100% and cut out your preferred size.



RULER TO SCALE FOR REFERENCE



# THE RUNWELL

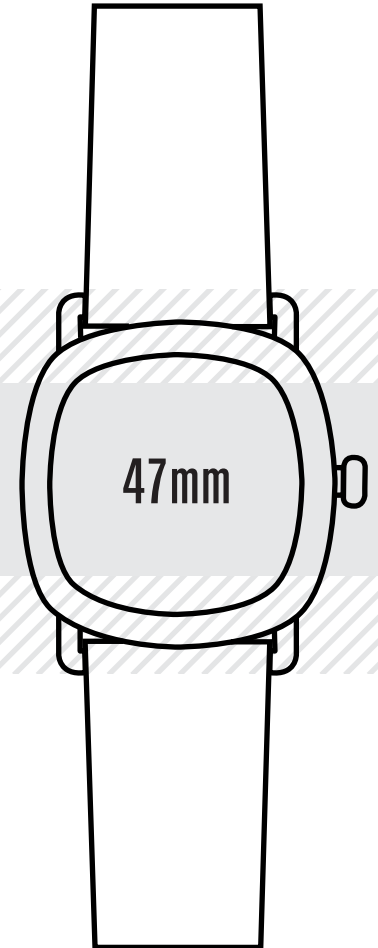
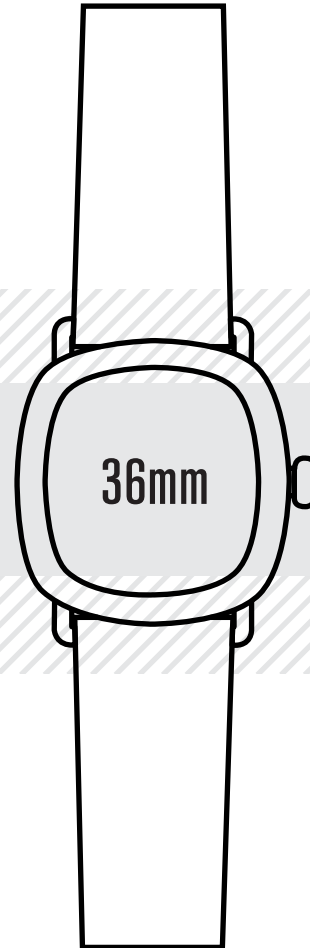
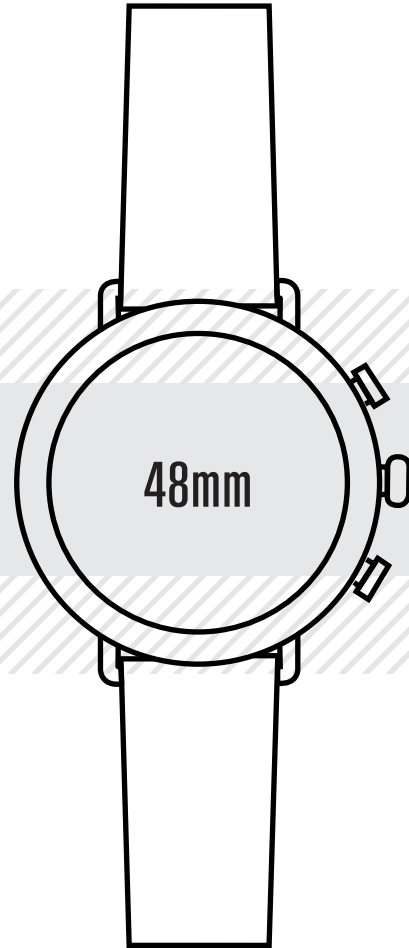
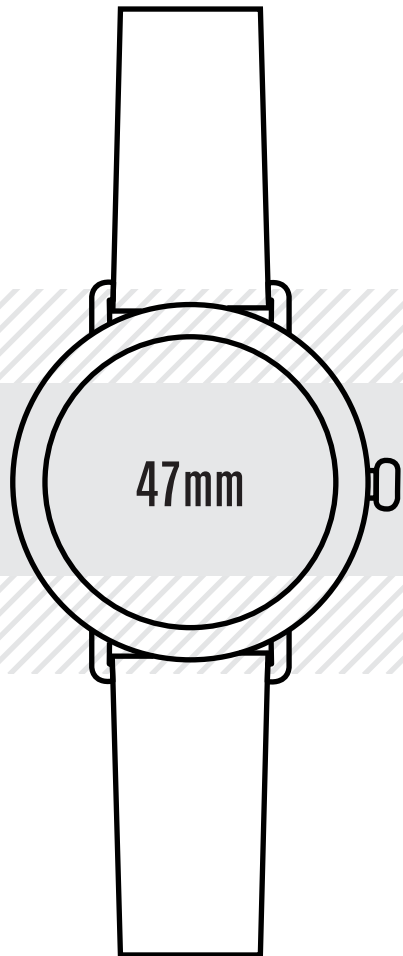


## THE RUNWELL (CONT.)

## THE GUARDIAN

2in

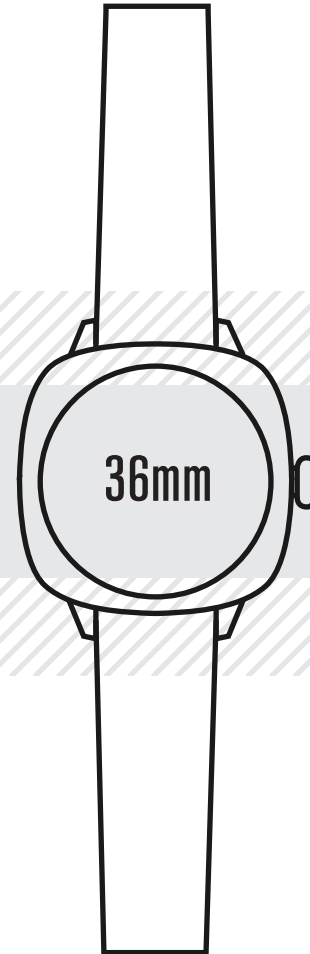
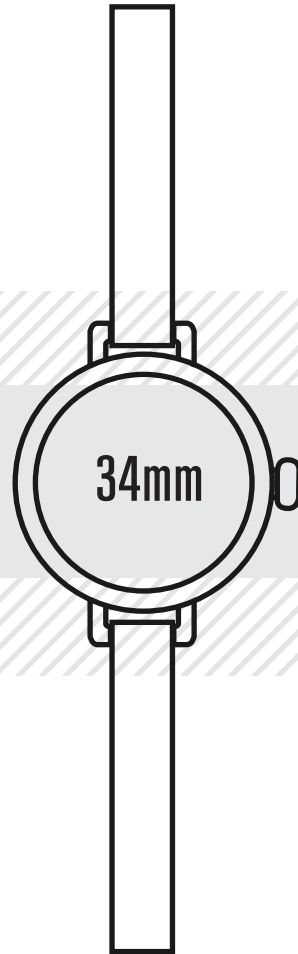
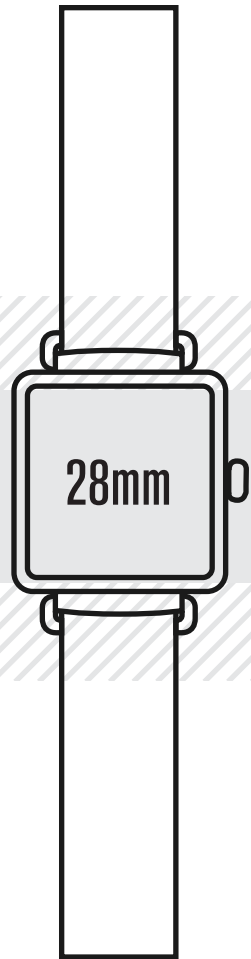
1in



# THE CASS

# THE BIRDY

# THE GOMELSKY



2in

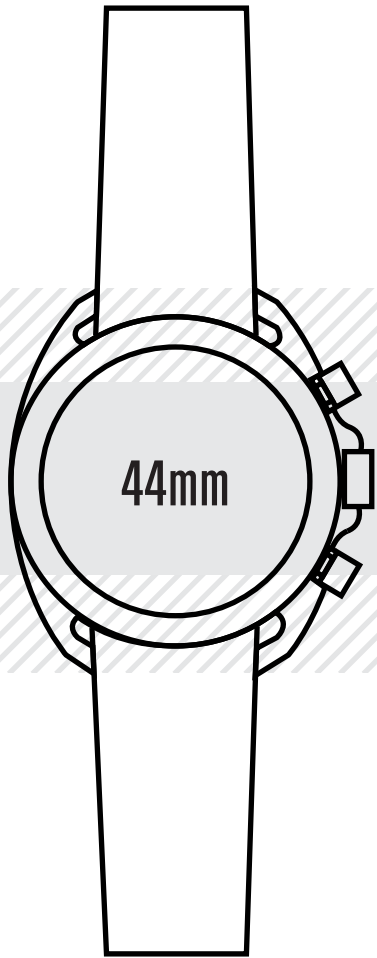
1in

# THE RAMBLER

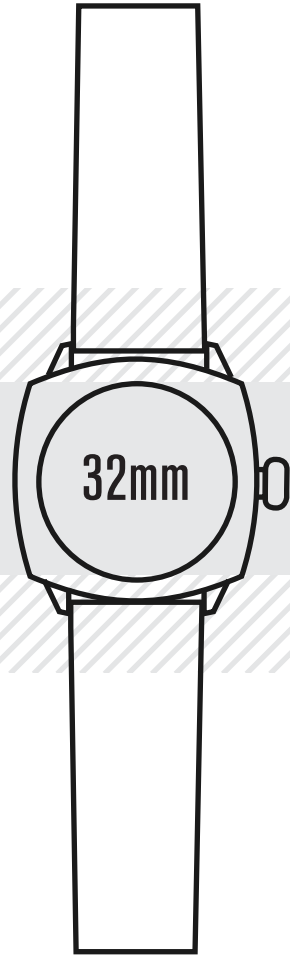
# THE BRAKEMAN

2in

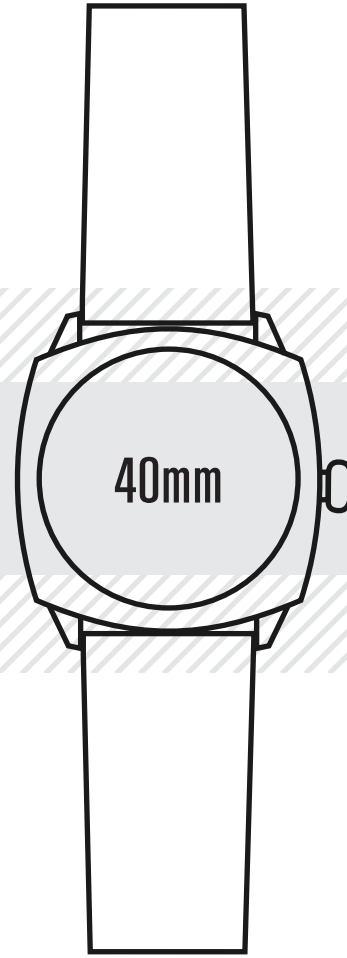
1in



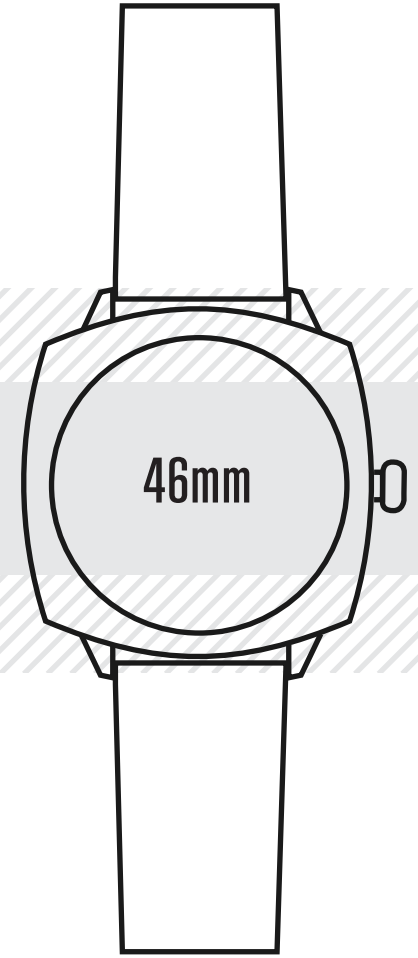
44mm



32mm

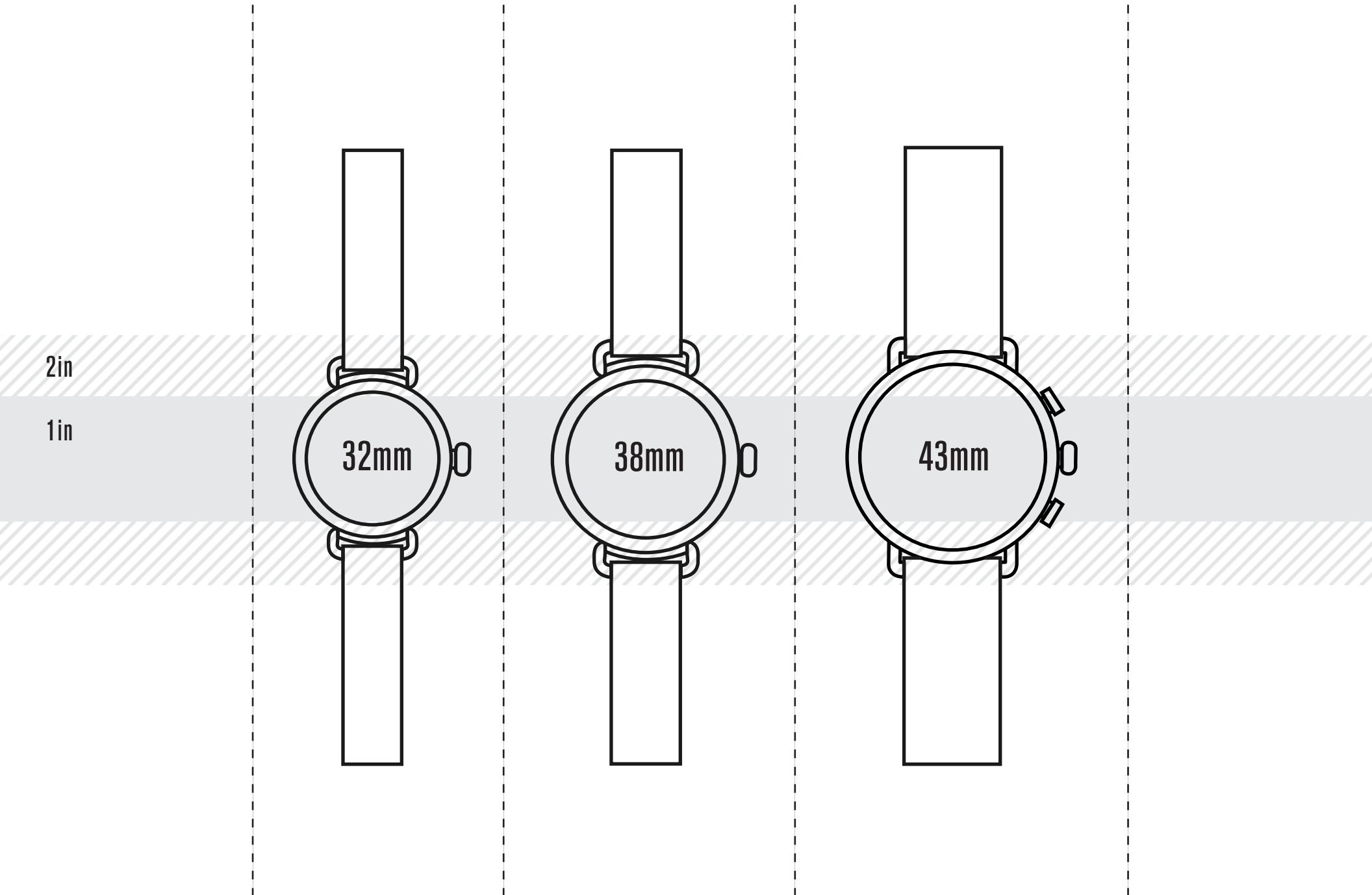


40mm



46mm

# THE CANFIELD



2in

1in

32mm

38mm

43mm